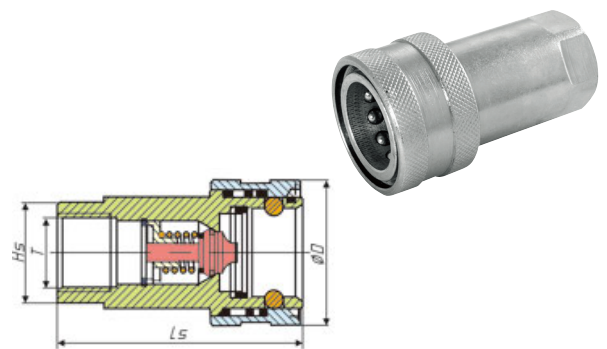


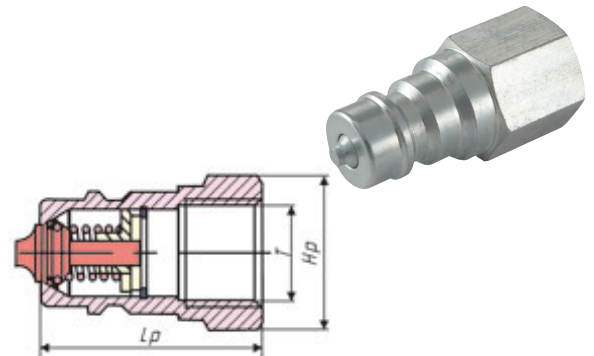


Hydraulic Quick Coupling (Carbon Steel) ISO-7241-A, Poppet Valve

Part. No.	DN	Size	Ls	ΦD	Hs	T
HKSA04CS-V	5.0	04SF	47	25	S19	1/4" BSPP
HKSA06CS-V	8.5	06SF	57	31	S22	3/8" BSPP
HKSA08CS-V	10.0	08SF	66	38	S27	1/2" BSPP
HKSA12CS-V	15.0	12SF	82.5	48	S34	3/4" BSPP
HKSA16CS-V	17.0	16SF	97	54	S41	1" BSPP
HKSA20CS-V	23.0	20SF	117	70	S50	1.1/4" BSPP
HKSA24CS-V	30.0	24SF	133.5	84	S60	1.1/2" BSPP
HKSA32CS-V	38.0	32SF	160	100	S75	2" BSPP



Part. No.	DN	Size	Lp	Hp	T
HKPA04CS-V	5.0	04PF	35	S19	1/4" BSPP
HKPA06CS-V	8.5	06PF	39	S22	3/8" BSPP
HKPA08CS-V	10.0	08PF	44	S27	1/2" BSPP
HKPA12CS-V	15.0	12PF	55	S34	3/4" BSPP
HKPA16CS-V	17.0	16PF	63	S41	1" BSPP
HKPA20CS-V	23.0	20PF	75	S50	1.1/4" BSPP
HKPA24CS-V	30.0	24PF	83	S60	1.1/2" BSPP
HKPA32CS-V	38.0	32PF	100	S75	2" BSPP



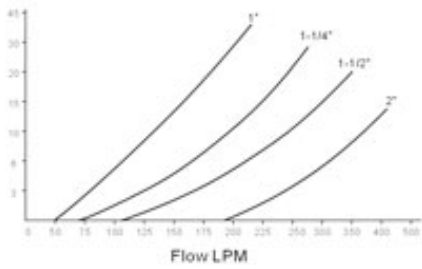
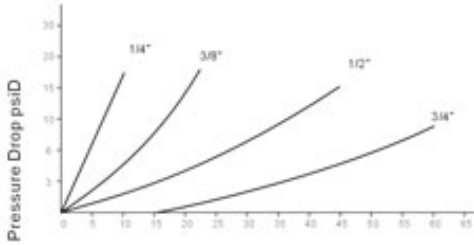
Applications This series couplings are used in a wide range of hydraulic applications including construction equipment, manufacturing machinery, and in-plant systems. They can be found anywhere the fluid transfer lines need to be connected and disconnected for operation or maintenance of equipment. Rugged construction makes the this Series a good choice for mobile applications including dump trucks, snow plows, refuse hauling, mining, asphalt paving, truck trailer connections and many more. In-plant machinery applications include hydraulic fluid, chemicals and gas lines for paper mills, steel production, and many varieties of plant maintenance and production equipment.

PERFORMANCE:

75 SERIES(1/4"-2")

Test Fluid:hydraulic Oil at 100°F

OIL 40°C drop 28.8mm²/s-35.3mm²/s



INTERCHANGE

HANSEN HA15000 SERIES, AEROQUIP FD56 SERIES, PARKER 6600 SERIES, FASTER ANV SERIES, DNP PAV SERIES, STUCCHI BIR SERIES, SAFEWAY S56 SERIES

TEMPERATURE RANGE:

25°C+120°C/-13°F+250°F

With standard seals: Buna-N(Nitrile)

On request seals: Viton, Neoprene, EPDM or other seals.

MAX. WORKING PRESSURE:

- 1/4"-----04: 350Bar
- 3/8"-----06: 315Bar
- 1/2"-----08: 250Bar
- 3/4"-----12: 250Bar
- 1"-----16: 230Bar
- 1-1/4"-----20: 230Bar
- 1-1/2"-----24: 180Bar
- 2"-----32: 130Bar

MATERIAL

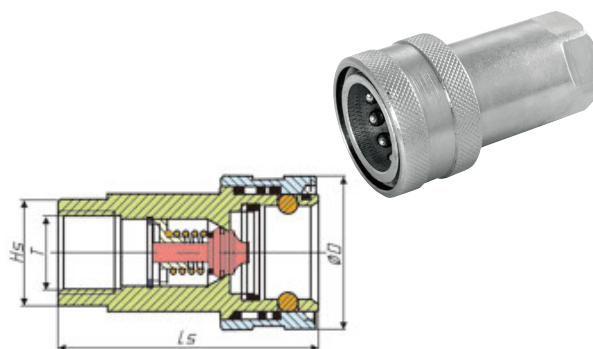
Coupler Body: STEEL, TRIVALENT PLATED
Valve: STEEL, POPPET TYPE
Springs: 55CrSi
Locking O-Ring : 55CrSi
Balls: GCr15
Seals: Buna-N (Nitrile)
Back-Up Ring: PTFE
Surface treatment: Zinc plating and Cr 3+ Passivation or Yellow Passivation

ATTENTION:

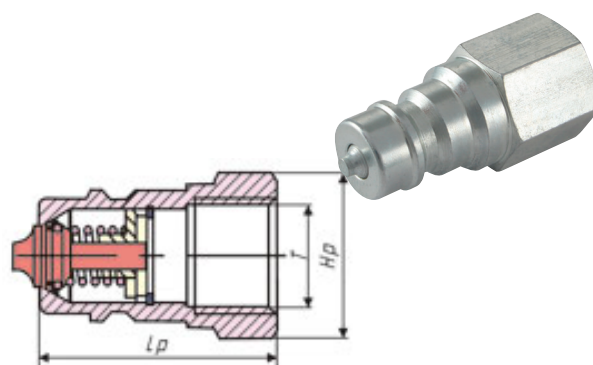
Only plug and socket with the same thread fit together.

HYDRAULIC QUICK COUPLING (STAINLESS STEEL 316) ISO-7241-A, POPPET VALVE

Part. No.	DN	Size	Ls	ΦD	Hs	T
HKSA04SS	5	04SF	47	25	S19	1/4" BSPP
HKSA06SS	8.5	06SF	57	31	S22	3/8" BSPP
HKSA08SS	10	08SF	66	38	S27	1/2" BSPP
HKSA12SS	15	12SF	82.5	48	S34	3/4" BSPP
HKSA16SS	17	16SF	97	54	S41	1" BSPP

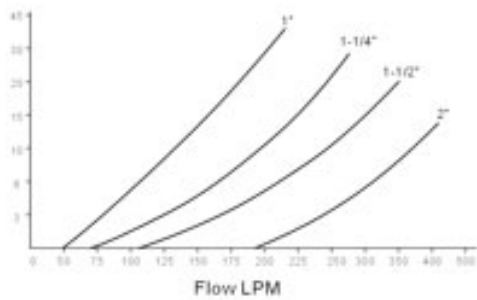
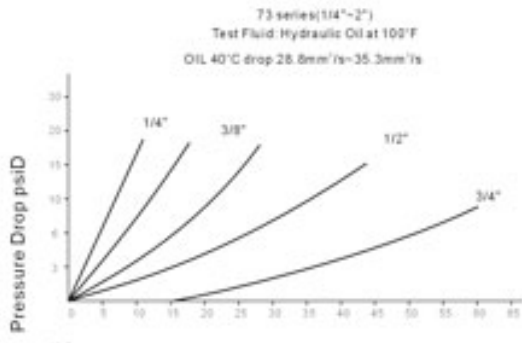


Part. No.	DN	Size	Lp	Hp	T
HKPA04SS	5	04PF	35	S19	1/4" BSPP
HKPA06SS	8.5	06PF	39	S22	3/8" BSPP
HKPA08SS	10	08PF	44	S27	1/2" BSPP
HKPA12SS	15	12PF	55	S34	3/4" BSPP
HKPA16SS	17	16PF	63	S41	1" BSPP



Applications This series couplings are used in a wide range of hydraulic applications including construction equipment, manufacturing machinery, and in-plant systems. They can be found anywhere the fluid transfer lines need to be connected and disconnected for operation or maintenance of equipment. Rugged construction makes the this Series a good choice for mobile applications including dump trucks, snow plows, refuse hauling, mining, asphalt paving, truck trailer connections and many more. In-plant machinery applications include hydraulic fluid, chemicals and gas lines for paper mills, steel production, and many varieties of plant maintenance and production equipment.

PERFORMANCE:



INTERCHANGE

HANSEN HA15000 SERIES, AEROQUIP FD56 SERIES,
PARKER 6600 SERIES, FASTER ANV SERIES, DNP PAVX SERIES,
STUCCHI BIR SERIES, SAFEWAY S56 SERIES

TEMPERATURE RANGE:

-25°C+175°C/-13°F+347°F

With standard seals: Viton

MAX. WORKING PRESSURE:

1/4"-----04: 250Bar

3/8"-----06: 200Bar

1/2"-----08: 200Bar

3/4"-----12: 160Bar

1"-----16: 125Bar

MATERIAL

Coupler Body: AISI316

Valve: AISI316, POPPET TYPE

Springs: SS302

Locking O-Ring: SS302

Balls: 440C

Back-Up Ring: PTFE

Seals: Viton or NBR

ATTENTION:

Only plug and socket with the same thread fit together.