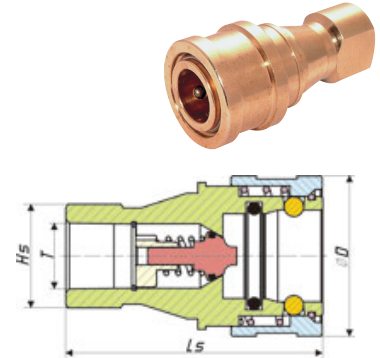


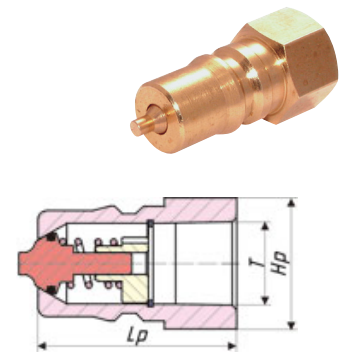


HYDRAULIC QUICK COUPLING BRASS ISO-7241-B, POPPET VALVE

Part No.	DN	Size	Ls	ΦD	Hs	T
HKS02B	5.0	02SF	48	24	S14	1/8" BSPP
HKS04B	6.0	04SF	58	28	S19	1/4" BSPP
HKS06B	8.5	06SF	65	35	S21	3/8" BSPP
HKS08B	10.5	08SF	72	44.5	S29	1/2" BSPP
HKS12B	16.0	12SF	88	55	S35	3/4" BSPP
HKS16B	20.0	16SF	102	65	S41	1" BSPP



Part No.	DN	Size	Lp	Hp	T
HKP02B	5.0	02PF	29.2	S14	1/8" BSPP
HKP04B	6.0	04PF	36.5	S17	1/4" BSPP
HKP06B	8.5	06PF	40	S21	3/8" BSPP
HKP08B	10.5	08PF	44	S29	1/2" BSPP
HKP12B	16.0	12PF	52	S35	3/4" BSPP
HKP16B	20.0	16PF	62	S42	1" BSPP

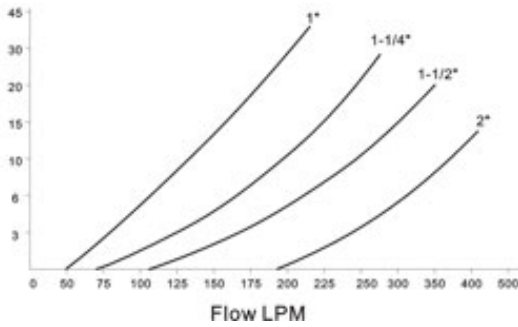
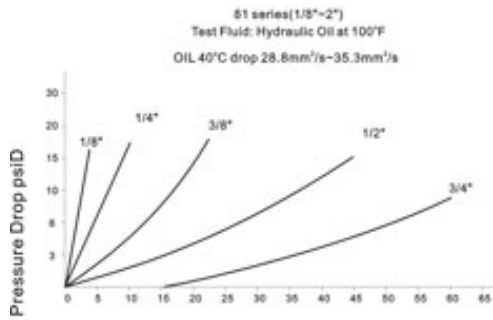


APPLICATIONS:

This general purpose couplings, are used across the spectrum of hydraulic applications.

These Double Shut-Off couplings can be found anywhere that fluid transfer lines need to be connected and disconnected for operation or maintenance of equipment, and a loss of fluid is undesirable. Primarily used with hydraulic fluid, general purpose Double Shut-Off couplings are typically used in food processing and manufacturing for shipbuilding, offshore, machine tool/automation, oil refineries, steel mills, chemicals and pharmaceuticals.

PERFORMANCE:



INTERCHANGE

HANSEN HK SERIES, PARKER 60 SERIES,
FASTER HNV SERIES, AEROQUIP FD45 SERIES,
STUCCHI IRBO SERIES, DNP PBVM SERIES

TEMPERATURE RANGE:

-25°C+120°C / -13°F+250°F

With standard seals: Buna-N Nitrile

On request seals: Viton, Neoprene, EPDM or other seals.

MAX. WORKING PRESSURE:

1/8"-----02: 200Bar

1/4"-----04: 180Bar

3/8"-----06: 180Bar

1/2"-----08: 160Bar

3/4"-----12: 120Bar

1"-----16: 120Bar

MATERIAL

Coupler Body: BRASS

Valve: BRASS, POPPET TYPE

Springs: 55CrSi

Locking O-Ring: 55CrSi

Balls: GCr15

Back-Up Ring: PTFE

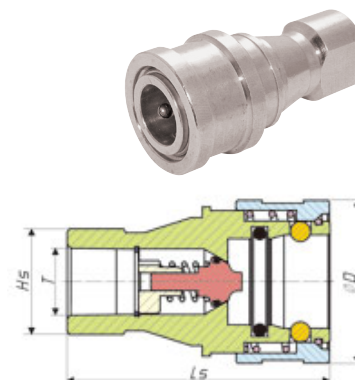
Seals: Buna-N Nitrile or Viton

ATTENTION:

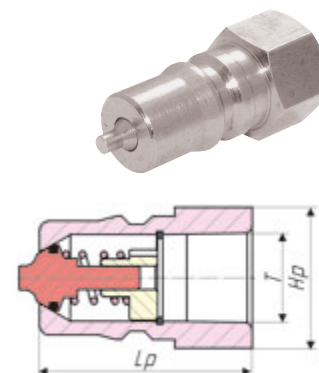
Only plug and socket with the same thread fit together.

HYDRAULIC QUICK COUPLING (STAINLESS STEEL 316) ISO-7241-B, POPPET VALVE

Part No.	DN	Size	Ls	ΦD	Hs	T
HKS02SS	5.0	02SF	48	24	S14	1/8" BSPP
HKS04SS	6.0	04SF	58	28	S19	1/4" BSPP
HKS06SS	8.5	06SF	65	35	S21	3/8" BSPP
HKS08SS	10.5	08SF	72	44.5	S29	1/2" BSPP
HKS12SS	16.0	12SF	88	55	S35	3/4" BSPP
HKS16SS	20.0	16SF	102	65	S41	1" BSPP



Part No.	DN	Size	Lp	Hp	T
HKP02SS	5.0	02PF	29.2	S14	1/8" BSPP
HKP04SS	6.0	04PF	36.5	S17	1/4" BSPP
HKP06SS	8.5	06PF	40	S21	3/8" BSPP
HKP08SS	10.5	08PF	44	S29	1/2" BSPP
HKP12SS	16.0	12PF	52	S35	3/4" BSPP
HKP16SS	20.0	16PF	62	S42	1" BSPP



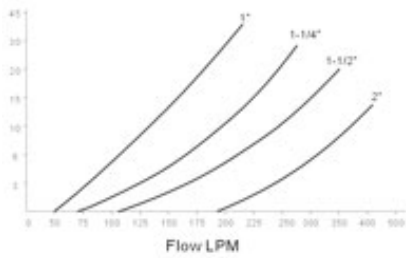
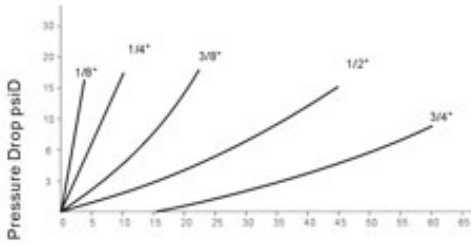
APPLICATIONS:

This general purpose couplings, are used across the spectrum of hydraulic applications. These Double Shut-Off couplings can be found anywhere that fluid transfer lines need to be connected and disconnected for operation or maintenance of equipment, and a loss of fluid is undesirable. Primarily used with hydraulic fluid, general purpose Double Shut-Off couplings are typically used in food processing and manufacture, shipbuilding, offshore, machine tool/automation, oil refineries, steel mills, chemicals and pharmaceuticals.

PERFORMANCE:

83SERIES(1/8"-2")

Test Fluid:hydraulic Oil at 100°F



INTERCHANGE

HANSEN HK SERIES, PARKER 60 SERIES, FASTER HNV SERIES, AEROQUIP FD45 SERIES, STUCCHI IRBX SERIES, DNP PBVX SERIES

TEMPERATURE RANGE:

-25°C+175°C/-13°F+347°F

With standard seals: Buna-N(Nitrile)

On request seals: Viton, Neoprene, EPDM or other seals.

MAX. WORKING PRESSURE:

- 1/8"-----02: 250Bar
- 1/4"-----04: 250Bar
- 3/8"-----06: 200Bar
- 1/2"-----08: 200Bar
- 3/4"-----12: 160Bar
- 1"-----16: 125Bar
- 1.1/2"-----24: 80Bar
- 2"-----32: 60Bar

MATERIAL

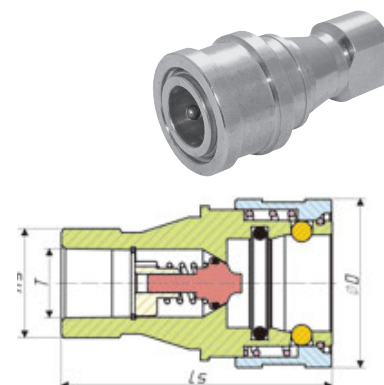
- Coupler Body: AISI316
- Valve:AISI316, POPPET TYPE
- Springs: 55CrSi
- Locking O-Ring: 55CrSi
- Balls: GCr15
- Back-Up Ring: PTFE
- Seals: Viton or NBR

ATTENTION:

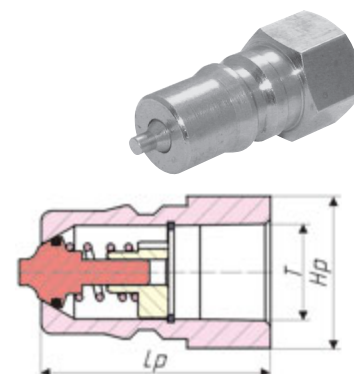
Only plug and socket with the same thread fit together.

HYDRAULIC QUICK COUPLING (CA STEEL) ISO-7241-B, POPPET VALVE

Part No.	DN	Size	Ls	ΦD	Hs	T
HKS02CS	5.0	02SF	48	24	S14	1/8" BSPP
HKS04CS	6.0	04SF	58	28	S19	1/4" BSPP
HKS06CS	8.5	06SF	65	35	S21	3/8" BSPP
HKS08CS	10.5	08SF	72	44.5	S29	1/2" BSPP
HKS12CS	16.0	12SF	88	55	S35	3/4" BSPP
HKS16CS	20.0	16SF	102	65	S41	1" BSPP



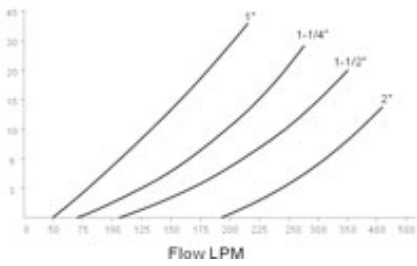
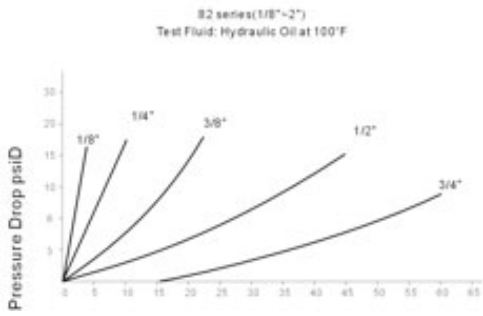
Part No.	DN	Size	Lp	Hp	T
HKP02CS	5.0	02PF	29.2	S14	1/8" BSPP
HKP04CS	6.0	04PF	36.5	S17	1/4" BSPP
HKP06CS	8.5	06PF	40	S21	3/8" BSPP
HKP08CS	10.5	08PF	44	S29	1/2" BSPP
HKP12CS	16.0	12PF	52	S35	3/4" BSPP
HKP16CS	20.0	16PF	62	S42	1" BSPP



APPLICATIONS:

This general purpose couplings, are used across the spectrum of hydraulic applications. These Double Shut-Off couplings can be found anywhere that fluid transfer lines need to be connected and disconnected for operation or maintenance of equipment, and a loss of fluid is undesirable. Primarily used with hydraulic fluid, general purpose Double Shut-Off couplings are typically used in food processing and manufacture, shipbuilding, offshore, machine tool/automation, oil refineries, steel mills ,chemicals and pharmaceuticals.

PERFORMANCE:



INTERCHANGE

HANSEN HK SERIES, PARKER 60 SERIES,
FASTER HNV SERIES, AEROQUIP FD45 SERIES,
STUCCHI IRB SERIES, DNP PBV SERIES

TEMPERATURE RANGE:

-25°C+120°C/-13°F+250°F

With standard seals: Buna-N(Nitrile)

On request seals: Viton, Neoprene, EPDM or other seals.

MAX. WORKING PRESSURE:

- 1/8"-----02: 350Bar
- 1/4"-----04: 350Bar
- 3/8"-----06: 315Bar
- 1/2"-----08: 250Bar
- 3/4"-----12: 230Bar
- 1"-----16: 200Bar
- 1-1/2"-----24: 80Bar
- 2"-----32: 60Bar

MATERIAL

Coupler Body: STEEL, TRIVALENT PLATED
Valve: STEEL, POPPET TYPE
Springs: 55CrSi
Locking O-Ring: 55CrSi
Balls: GCr15
Seals: Buna-N(Nitrile)
Back-Up Ring: PTFE
Surface treatment: Zinc plating and Cr 3+ Passivation
or Yellow Passivation

ATTENTION:

Only plug and socket with the same thread fit together.