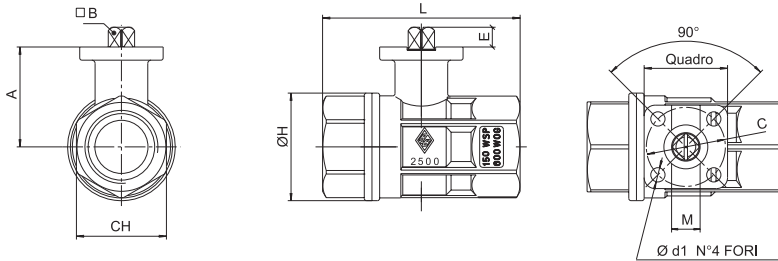


ACTUATION ACTUATED BALL VALVES



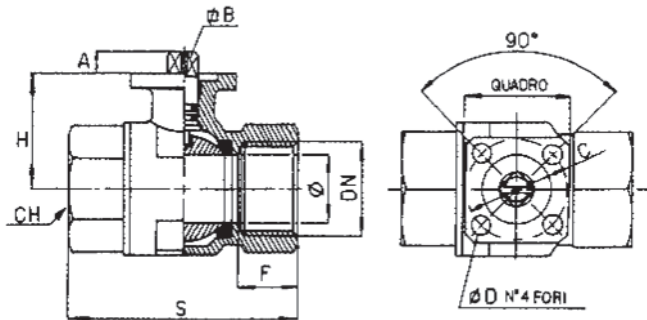
Specification

Brass Nickel Plated, BSPP, 3/8" to 2"



Size	A	B	C	d1	E	H	I	L	M	P	CH	Torque (Nm)	Torque (in-lb)
3/8"	33	9	36	6	9	33.5	11.4	67	13	14.2	27	6	53.1

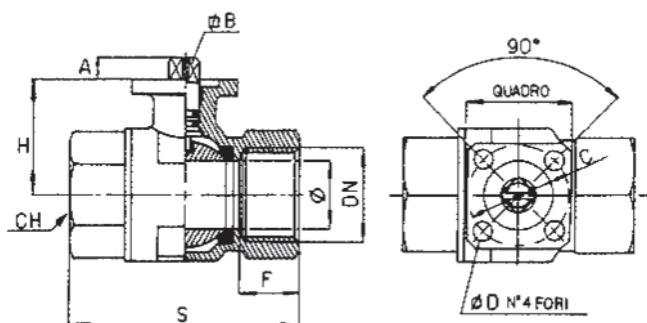
Unit: mm



Size	Ø	ØD	∠	∠B	A	C	F	H	S	ISO	CH	Torque (Nm)	Torque (in-lb)
1/2"	15	5.5	38	9	7	36	17	31	59	M1 (F03)	27	4.2	37.2
3/4"	20	5.5	38	9	8	36	18	37	69	M1 (F03)	33	4.8	42.5
1"	25	5.5	38	9	8	36	22	41	83	M1 (F03)	41	5.5	48.7
1.1/4"	32	5.5	38	9	80	36	24	46.5	94	M1 (F03)	50	11.5	101.8
1.1/2"	40	6.5	50	14	14.5	50	24	58	102	M4 (F05)	56	18	159.3
2"	50	6.5	50	14	14.5	50	28	65.5	124	M4 (F05)	70	22	194.7

Unit: mm

Brass Nickel Plated WRAS Approved, BSPP, 1/2" to 2"



Size	Ø	ØD	∠	∠B	A	C	F	H	S	ISO	CH	Torque (Nm)	Torque (in-lb)
1/2"	15	5.5	38	9	7	36	17	31	59	M1 (F03)	27	4.2	37.2
3/4"	20	5.5	38	9	8	36	18	37	69	M1 (F03)	33	4.8	42.5
1"	25	5.5	38	9	8	36	22	41	83	M1 (F03)	41	5.5	48.7
1.1/4"	32	5.5	38	9	80	36	24	46.5	94	M1 (F03)	50	11.5	101.8
1.1/2"	40	6.5	50	14	14.5	50	24	58	102	M4 (F05)	56	18	159.3
2"	50	6.5	50	14	14.5	50	28	65.5	124	M4 (F05)	70	22	194.7

Unit: mm

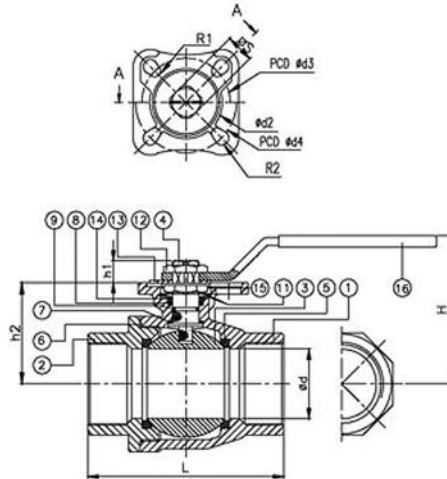


ACTUATION ACTUATED BALL VALVES



Specification

2 piece 316 Stainless Steel, Direct Mount, BSPP, 1/4" to 2"



NPS	d	L	H	ISO 5211	S	h1	h2	d2	d3	d4	R1	R2	Torque (Nm)	Torque (in-lb)	Weight (lb)
1/4"	8	75	64	F03 / F04	9	8	39	31	36	42	2.75	2.75		3.6	0.5
3/8"	10	75	64	F03 / F04	9	8	39	31	36	42	2.75	2.75	31.9	3.6	0.5
1/2"	15	75	64	F03 / F04	9	8	39	31	36	42	2.75	2.75	31.9	3.6	0.5
3/4"	20	80	70	F03 / F04	9	8	44	31	36	42	2.75	2.75	54.0	6.1	0.6
1"	25	90.5	74	F04 / F05	11	9	47.5	35.5	42	50	2.75	3.5	84.1	9.5	1
1-1/4"	32	110	80	F04 / F05	11	12	53	35.5	42	50	2.75	3.5	97.4	11	1.5
1-1/2"	38	120	98	F05 / F07	14	13	64.5	56	50	70	3.5	4.5	115.1	13	2.3
2"	50	140	107	F05 / F07	14	13.5	73	56	50	70	3.5	4.5	460.2	52	3.6

Unit: mm

Inner Structure

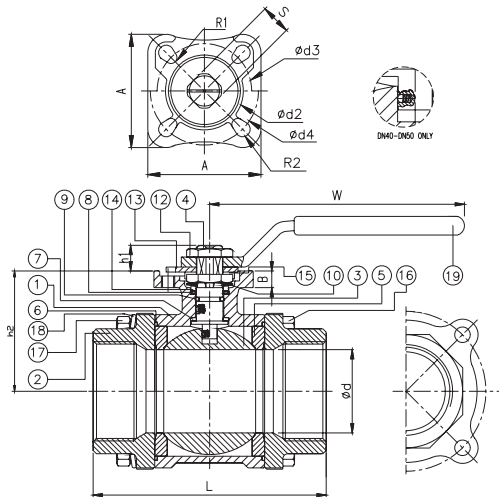
Item	Parts	Material	
		ASTM A351-CF8M	ASTM A216-WCB
1	BODY	ASTM A351-CF8M	ASTM A216-WCB
2	CAP		
3	BALL	ASTM A351-CF8M	
4	STEM	ASTM A276-316	
5	SEAT	RTFE/PTFE	
6	SEAL	PTFE	
7	THRUST WASHER		
8	PACKING		
9	O-RING	VITON	
11	BELLEVILLE WASHER	AISI 301	
12	STEM NUT	AISI 304	
13	LOCKING DEVICE		
14	GLAND RING		
15	LOCKING WASHER		
16	HANDLE SLEEVE	PVC	

ACTUATION ACTUATED BALL VALVES



Specification

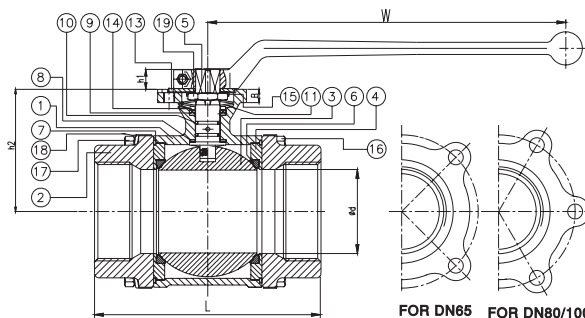
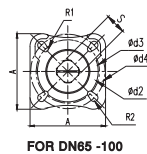
3 piece 316 Stainless Steel, Direct Mount, BSPP, Socket Weld & Butt Weld



1/4" to 2"

Size	d	L	ISO 5211	A	B	S	h1	h2	d2	d3	d4	R1	R2	Torque (Nm)	Torque (in-lb)
1/4"	8	55	F03/F04	42	6.5	9	8	40.3	31	36	42	2.75	2.75	3.60	31.9
3/8"	10	60	F03/F04	42	6.5	9	8	40.3	31	36	42	2.75	2.75	3.60	31.9
1/2"	15	75	F03/F04	42	6.5	9	8	40.3	31	36	42	2.75	2.75	3.60	31.9
3/4"	20	80	F03/F04	42	6.5	9	9	45	31	36	42	2.75	2.75	6.10	54
1"	25	90	F04/F05	50	7.5	11	10	47.5	35.5	42	50	2.75	3.5	9.90	87.6
1.1/4"	32	110	F04/F05	50	7.5	11	11	55.5	35.5	42	50	2.75	3.5	15.60	138.1
1.1/2"	38	120	F05/F07	70	9	14	12	65.3	56	50	70	3.5	4.5	22.00	194.7
2"	50	140	F05/F07	70	9	14	12	73	56	50	70	3.5	4.5	26.80	237.2

Unit: mm



2.1/2" to 4"

Size	d	L	ISO 5211	A	B	S	h1	h2	d2	d3	d4	R1	R2	Torque (Nm)	Torque (in-lb)
2.1/2"	65	185	F07/F10	100	10	17	17	105	70	70	102	4.5	5.5	89.20	789.5
3"	76	205	F07/F10	100	10	17	17	111.5	70	70	102	4.5	5.5	97.00	858.5
4"	100	240	F10/F12	125	12	22	22	136	100	102	125	5.5	6.5	116.00	1026.7

Unit: mm

ACTUATION ACTUATED BALL VALVES



Inner Structure

1/4" to 2"

2.1/2" to 4"

Item	Parts	Material	
1	BODY	ASTM A351-CF8M	ASTM A216-WCB
2	CAP		
3	BALL	ASTM A351-CF8M	
4	STEM	ASTM A276-316	
5	SEAT	RTFE	
6	SEAL	PTFE	
7	THRUST WASHER		
8	PACKING		
9	O-RING	VITON	
10	BELLEVILLE WASHER	AISI 301	
12	STEM NUT	AISI 304	
13	LOCKING PAD		
14	GLAND NUT		
15	LOCKING WASHER		
16	BOLT		
17	NUT		
18	SPRING WASHER		

Item	Parts	Material	
1	BODY	ASTM A351-CF8M	ASTM A216-WCB
2	CAP		
3	BALL	ASTM A351-CF8M	
4	RETAINER		
5	STEM	ASTM A276-316	
6	SEAT	RTFE	
7	SEAL	PTFE	
8	THRUST WASHER		
9	PACKING		
10	O-RING	VITON	
11	BELLEVILLE WASHER	AISI 301	
13	LOCKING PAD	AISI 304	
14	GLAND RING		
15	LOCKING WASHER		
16	BOLT		
17	NUT		
18	SPRING WASHER		
19	STEM NUT		