



# Mountable High Pressure Water Steel Hose Reel



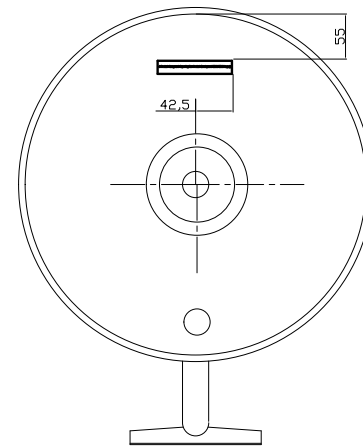
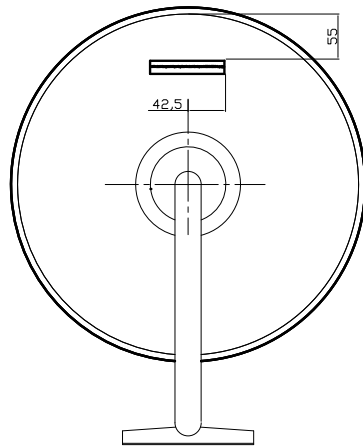
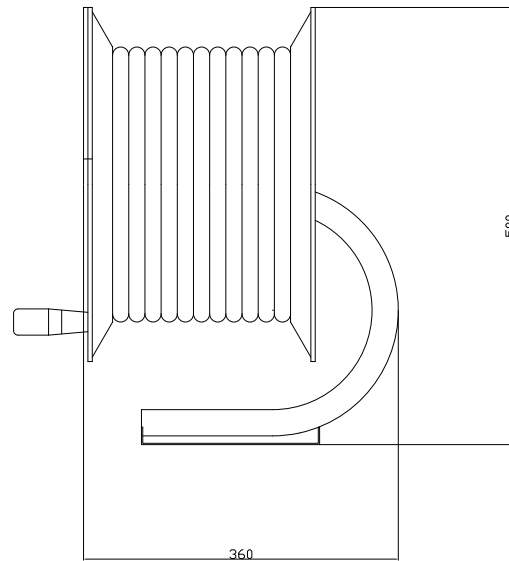
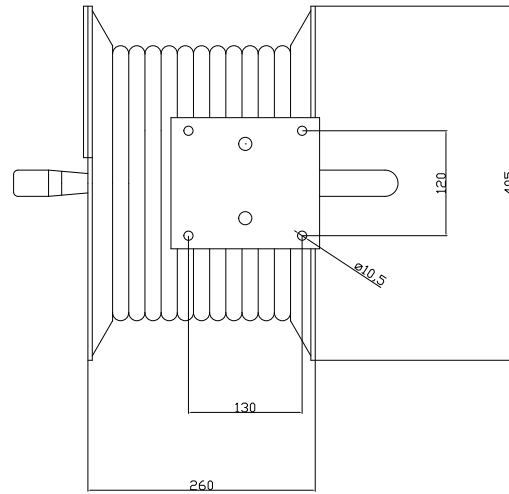
## Features

- Heavy duty steel construction
- Corrosion-resistant powder coating
- Robust reinforced base construction
- Four-direction non-snap rollers
- Multi-position ratchet lock
- Spring fully enclosed and lubricated
- Full flow swivel prevents leakage
- Nine position guide arm adjustment

## Benefits

- Long lasting
- Used in most environments
- Stable support
- Reduces hose wear
- Easy tension adjustment
- Low maintenance
- Versatile usage
- Permits wall, ceiling or floor mount

High Pressure Water Hose Reel	
SWHR-30-38MB222K	
Hose material	2 wire rubber
Hose working length	30m
Hose internal bore	3/8"
Inlet	3/8" BSP female
Outlet	M22 x 1.5 female
Maximum working pressure	150 bar (2,175 psi)
Working temperature	-40°C to +155°C



UNLESS OTHER WISE STATED		NAME	DATE	TITLE
DIMENSIONS IN MM	DRAWN	DB	28032013	HOSE
TOLERANCES	CHECKED			REEL
FRACTIONAL +/- 0.10	ENG APP			
± DECIMAL PLACS +/-0.1	MFG APP			SIZE DWG NO
MATERIAL	GA			A SWHR-30-38
COMMENTS				
SCALE 1:1	WEIGHT	SHEET 1 OF 1		

# Assembly Instructions for Feed Hose to Hose Reel

**STAGE 1**  
Standard  
Hose Reel



**STAGE 5**  
Thread  
your Feeder  
Hose  
through the  
Rotating  
Joint  
Connection  
on Hose  
Reel



**STAGE 2**  
Remove  
Clip from  
Brass  
Rotating  
Joint



**STAGE 6**  
Thread Feeder  
Hose through  
till Rotating  
Joint butts up  
to Hose Reel  
and protrudes  
out of angle on  
Fixing Bracket  
(1mtr of hose  
required)



**STAGE 3**  
Remove  
Brass  
Rotating  
Joint from  
Hose Reel



**STAGE 7**  
Replace  
Clip on  
to Brass  
Rotating  
Joint



**STAGE 4**  
Attach your Feeder Hose to the  
3/8" BSPP Female Thread on  
Brass Rotating Joint



**STAGE 8**  
Assembly  
Instruction  
for Feed  
Hose  
Complete

