

FLOW METER

Model HV, HK, HT

The model H is a moderately priced variable area flow meter for liquid and gas flow measurements. It has an injection moulded flow tube and threaded or socket type connections.

FEATURES

- Low cost
- Good corrosion resistance
- Large variety of flow ranges
- Threaded or socket type connections

TYPICAL APPLICATIONS

- Process industry
- Chemical industry
- Water treatment plants
- Flow measurement in PVC piping
- General liquid and gas measurement

OPTIONS

- Scale for alternative liquids and gases
- Special scale markings
- Viton® or EPDM seals
- Low and/or high flow alarm



Model HV



Model HK



Model HT

HV

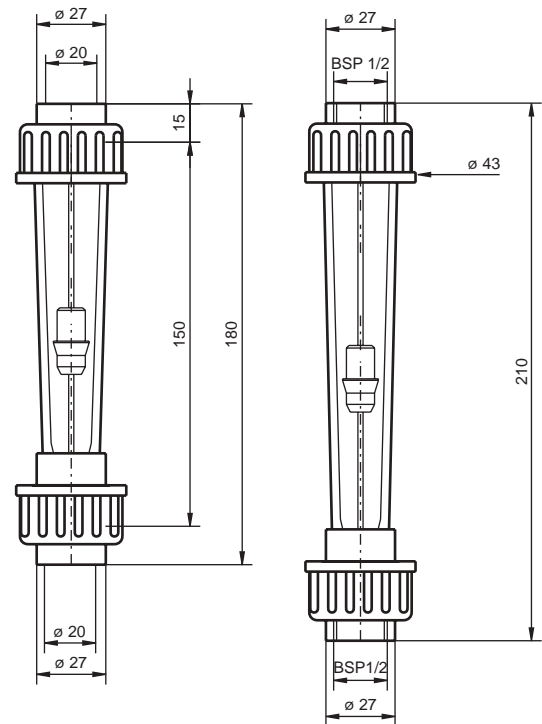


Technical data HV

Connection size	BSP/NPT 1/2" or 20 mm
Weight	120 g
Max. pressure	10 bar / 20 °C (* 10 bar / 80 °C)
Max. temperature	50 °C / 2 bar (* 120 °C / 2 bar)
Flow tube	Grilamid (PA-12) (* PES)
Connectors	PVC (* AISI 316, PVDF)
Float	AISI 329 or AISI 329/PTFE (depending on range)
Seals	Nitrile (* Viton®, EPDM)
Accuracy	± 5 % F.S. (H ₂ O, +20 °C)

*) Special construction on request

H	V	-		
				Special feature
	V			PES flowtube
	W			PES flowtube, Viton® -seals
	X			Viton® -seals
				Scale
	C			H ₂ O (m ³ /h) at +20°C
	S			Air (Nm ³ /min) at +20°C / 101,3 kPa
				Flow range
				H₂O Air
	6H			0,02 - 0,11 m ³ /h 0,015 - 0,07 Nm ³ /min
	3H			0,04 - 0,2 m ³ /h 0,03 - 0,13 Nm ³ /min
	3K			0,075 - 0,3 m ³ /h 0,04 - 0,18 Nm ³ /min
	3L			0,15 - 0,5 m ³ /h 0,06 - 0,28 Nm ³ /min
	3M			0,15 - 0,6 m ³ /h 0,075 - 0,3 Nm ³ /min
	4D			0,2 - 1,0 m ³ /h 0,1 - 0,5 Nm ³ /min
	4E			0,2 - 1,3 m ³ /h 0,1 - 0,65 Nm ³ /min
	4F			0,3 - 1,8 m ³ /h 0,2 - 0,9 Nm ³ /min
				Connections
				Without PVC connectors
	H			Socket type connections, Ø20mm
	N			NPT1/2" connections
	R			BSP1/2" connections



HHV

HRV

MANUFACTURER

Kytola
INSTRUMENTS

KYTOLA OY • Olli Kytolan tie 1
P.O. Box 5 • FI-40951 MUURAME • FINLAND
Phone +358 14 339 0600 • Fax +358 14 631 419
E-mail sales@kytola.com • www.kytola.com

LOCAL REPRESENTATIVE

HK

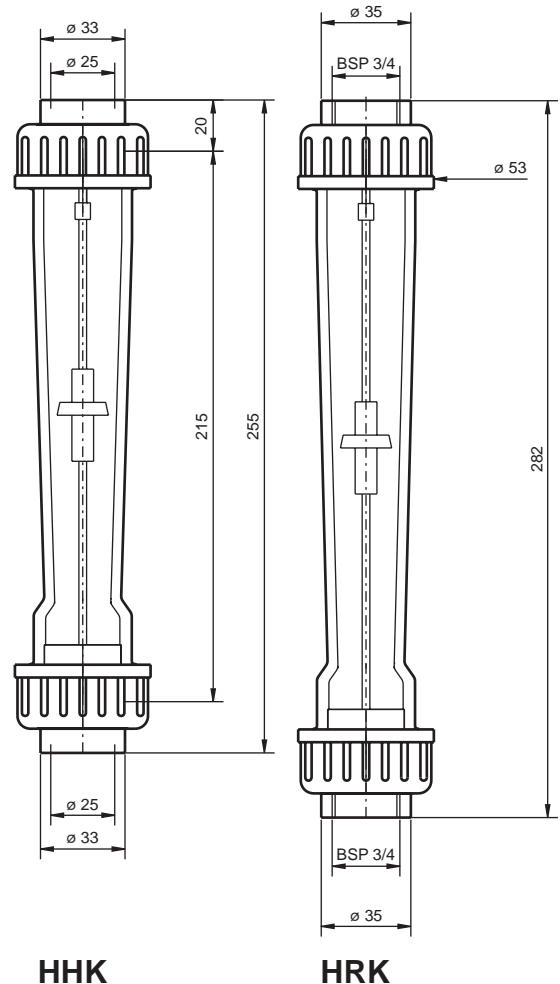


Technical data HK

Connection size	BSP/NPT 3/4" or 25 mm
Weight	280 g
Max. pressure	10 bar / 20 °C (* 10 bar / 80 °C)
Max. temperature	50 °C / 2 bar (* 120 °C / 2 bar)
Flow tube	Grilamid (PA-12) (* PES)
Connectors	PVC (* AISI 316, PVDF)
Float	AISI 329
Seals	Nitrile (* Viton [®] , EPDM)
Accuracy	± 5 % F.S. (H ₂ O, +20 °C)

*) Special construction on request

H	K-	-		
				Special feature
			V	PES flowtube
			W	PES flowtube, Viton [®] -seals
			X	Viton [®] -seals
				Scale
			C	H ₂ O (m ³ /h) at +20 °C
			S	Air (Nm ³ /min) at +20 °C / 101,3 kPa
				Flow range
				H₂O Air
			4F	0,3 - 1,2 m ³ /h 0,14 - 0,6 Nm ³ /min
			4E	0,5 - 2 m ³ /h 0,25 - 1 Nm ³ /min
			4A	0,6 - 2,6 m ³ /h 0,25 - 1,2 Nm ³ /min
			4B	0,8 - 3,4 m ³ /h 0,4 - 1,7 Nm ³ /min
			4C	0,8 - 3,6 m ³ /h 0,4 - 1,8 Nm ³ /min
			4D	1 - 4,75 m ³ /h 0,4 - 2,2 Nm ³ /min
				Connections
				Without PVC connectors
			H	Socket type connections, Ø25mm
			N	NPT3/4" connections
			R	BSP3/4" connections



MANUFACTURER

Kytola
INSTRUMENTS

KYTOLA OY • Olli Kytolan tie 1
P.O. Box 5 • FI-40951 MUURAME • FINLAND
Phone +358 14 339 0600 • Fax +358 14 631 419
E-mail sales@kytola.com • www.kytola.com

LOCAL REPRESENTATIVE



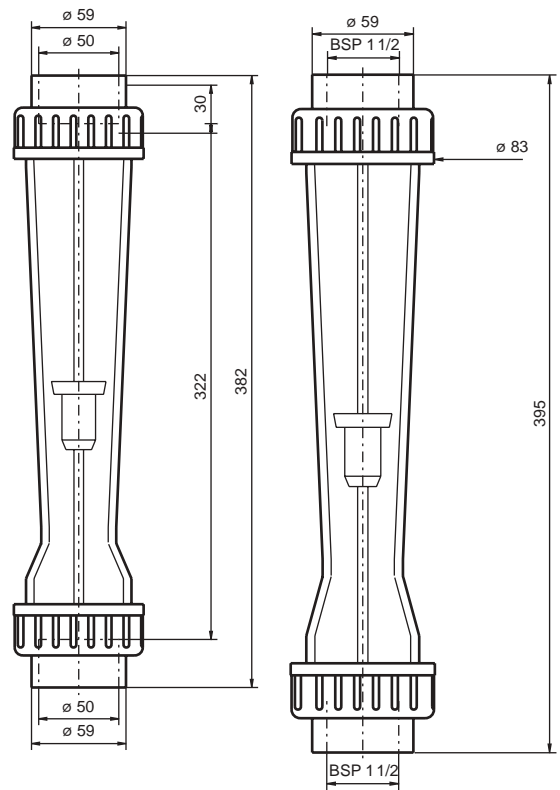
Technical data HT

Connection size	BSP/NPT 1 1/2" or 50 mm
Weight	980 g
Max. pressure	10 bar / 20 °C (* 10 bar / 80 °C)
Max. temperature	50 °C / 2 bar (* 120 °C / 2 bar)
Flow tube	Grilamid (PA-12) (* PES)
Connectors	PVC (* AISI 316, PVDF)
Float	AISI 329 or PTFE (depending on range)
Seals	Nitrile (* Viton®, EPDM)
Accuracy	± 5 % F.S. (H ₂ O, +20 °C)

HT

*) Special construction on request

H	T-			
Special feature				
	V	PES flowtube		
	W	PES flowtube, Viton® -seals		
	X	Viton® -seals		
Scale				
	C	H ₂ O (m ³ /h) at +20°C		
	S	Air (Nm ³ /min) at +20°C / 101,3 kPa		
Flow range				
		H₂O	Air	
	4E	0,5 - 3 m ³ /h	0,35 - 2 Nm ³ /min	
	4A	0,6 - 6,4 m ³ /h	0,4 - 3 Nm ³ /min	
	4F	0,5 - 9,5 m ³ /h	0,5 - 4,25 Nm ³ /min	
	4B	1,5 - 12 m ³ /h	1 - 6 Nm ³ /min	
	4C	2 - 18 m ³ /h	1 - 8,5 Nm ³ /min	
	4D	4 - 22 m ³ /h	2 - 14 Nm ³ /min	
Connections				
		Without PVC connectors		
	H	Socket type connections, Ø50mm		
	N	NPT 1 1/2" connections		
	R	BSP 1 1/2" connections		



HHT

HRT

MANUFACTURER

Kytola

INSTRUMENTS

KYTOLA OY • Olli Kytolan tie 1
 P.O. Box 5 • FI-40951 MUURAME • FINLAND
 Phone +358 14 339 0600 • Fax +358 14 631 419
 E-mail sales@kytola.com • www.kytola.com

LOCAL REPRESENTATIVE