

# MANUAL & MECHANICAL VALVES



## Installation & Application Data

- 1) Before installing, be sure the valve hasn't been damaged in transit.
- 2) Use clean air filtered to 40 $\mu$ m. Be aware of the flow direction & port size.
- 3) Please note whether the installation conditions meet the technical requirements (such as actuation frequency, working pressure & temperature before installing the valve.
- 4) Notice the flow direction of air during installation, P is the air input, A (B) is the outlet port and R (S) is the exhaust port.
- 5) Avoid freezing temperature and vibration.
- 6) Before using fittings and tube make sure they are clean.

# HAND SLIDE VALVES KSV SERIES



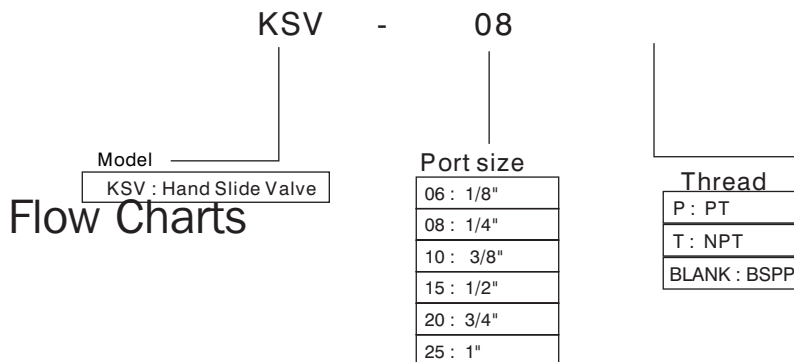
## Specification

| Model            | KSV-06                                      | KSV-08                           | KSV-10                           | KSV-15                            | KSV-20                            | KSV-25                             |
|------------------|---|----------------------------------|----------------------------------|-----------------------------------|-----------------------------------|------------------------------------|
| Fluid            | Air (to be filtered by 40µm filter element) |                                  |                                  |                                   |                                   |                                    |
| Operating        | Manual Control Direct Acting                |                                  |                                  |                                   |                                   |                                    |
| Port             | 1/8"  | 1/4"                             | 3/8"                             | 1/2"                              | 3/4"                              | 1"                                 |
| Orifice          | 23.0mm <sup>2</sup><br>(Cv=1.28)            | 40.0mm <sup>2</sup><br>(Cv=2.20) | 62.0mm <sup>2</sup><br>(Cv=3.50) | 140.0mm <sup>2</sup><br>(Cv=7.80) | 250.0mm <sup>2</sup><br>(Cv=13.8) | 392.0mm <sup>2</sup><br>(Cv=21.78) |
| Valve Type       | 3/2   |                                  |                                  |                                   |                                   |                                    |
| Lubrication      | Not required                                |                                  |                                  |                                   |                                   |                                    |
| Pressure Range   | 0-1.0MPa (0-145psi)                         |                                  |                                  |                                   |                                   |                                    |
| Proof Pressure   | 1.5MPa (215psi)                             |                                  |                                  |                                   |                                   |                                    |
| Temperature      | -20 to +70°C                                |                                  |                                  |                                   |                                   |                                    |
| Material of Body | Aluminium Alloy                             |                                  |                                  |                                   |                                   |                                    |

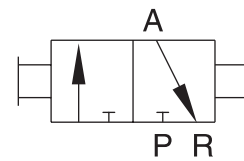
## Product Features

- There are several thread combinations for different applications.
- The slide is smooth to operate.
- There is large effective circulating area.
- The valve spool surface is treated with acid washing passivation.
- The surface of valve body is oxidized to keep the colour for a long time.

## Ordering Code



## Symbol

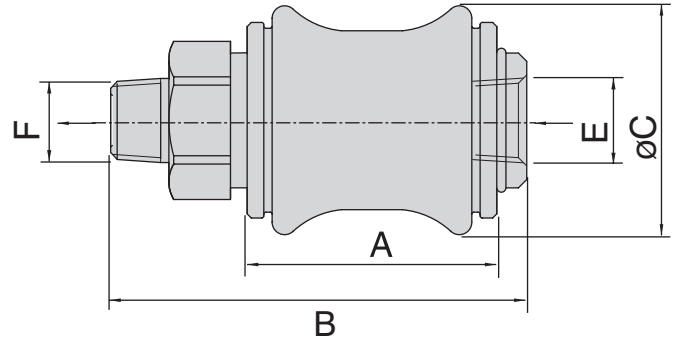
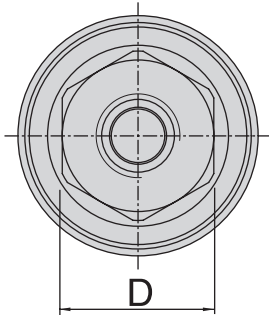


## Flow Charts

# HAND SLIDE VALVES KSV SERIES

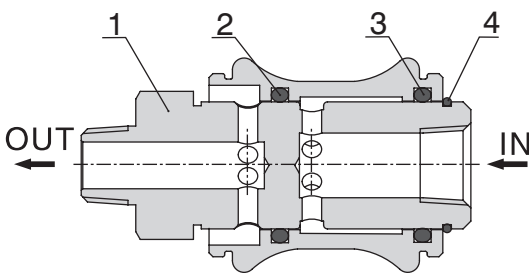


## Dimensions



| Model\Item | A    | B     | C    | D  | E    | F    |
|------------|------|-------|------|----|------|------|
| KSV-06     | 30   | 50    | 27.5 | 17 | 1/8" | 1/8" |
| KSV-08     | 32.5 | 58    | 30   | 19 | 1/4" | 1/4" |
| KSV-10     | 39   | 68.5  | 35.5 | 22 | 3/8" | 3/8" |
| KSV-15     | 50   | 85.5  | 44   | 30 | 1/2" | 1/2" |
| KSV-20     | 58   | 96.5  | 53.5 | 36 | 3/4" | 3/4" |
| KSV-25     | 70   | 114.5 | 65.5 | 44 | 1"   | 1"   |

## Inner Structure



| No. | Item   |
|-----|--------|
| 1   | Valve  |
| 2   | Body   |
| 3   | O-ring |
| 4   | Clip   |